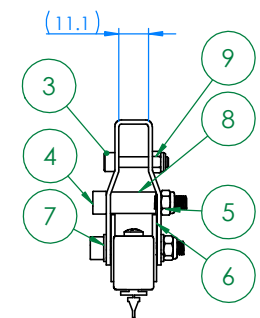
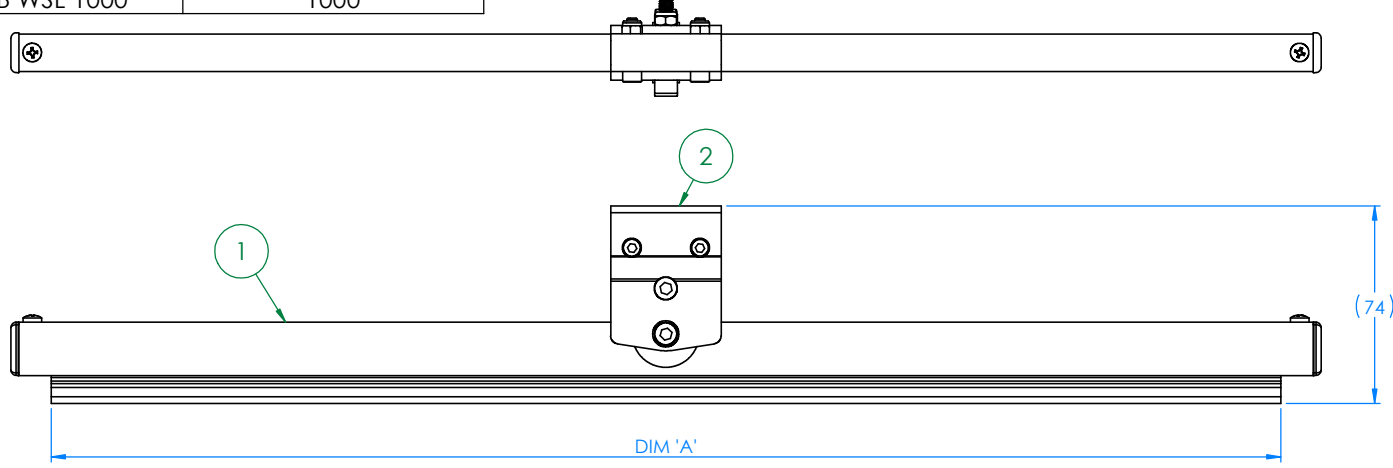
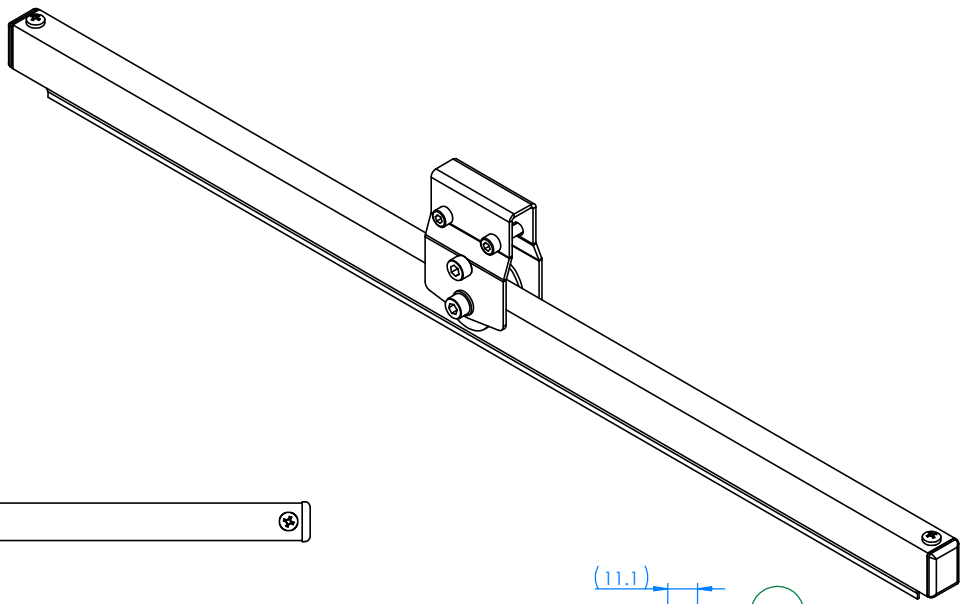


PART NO.	BLADE LENGTH (DIM 'A')
FB WSL 150	150
FB WSL 200	200
FB WSL 225	225
FB WSL 250	250
FB WSL 260	260
FB WSL 300	300
FB WSL 350	350
FB WSL 400	400
FB WSL 425	425
FB WSL 430	430
FB WSL 450	450
FB WSL 500	500
FB WSL 550	550
FB WSL 600	600
FB WSL 625	625
FB WSL 635	635
FB WSL 650	650
FB WSL 660	660
FB WSL 700	700
FB WSL 750	750
FB WSL 800	800
FB WSL 850	850
FB WSL 900	900
FB WSL 950	950
FB WSL 1000	1000

NOTE;
 ANY ADDITION TO THE TABLE WILL NOT HAVE A MOD NO. BUT THE DRAWING WILL BE UP ISSUED.
 ANY MODIFICATION TO THE DRAWING WILL HAVE A MOD NO. & THE DRAWING WILL BE UP ISSUED.

No.	DESCRIPTION	PART No.	QTY.
1	FLAT BLADE	FB **	1
2	(T33) BLADE MOUNTING CLIP	1279-493	1
3	M4 X 20 SET SCREW CAP SKT HD A4	zA0004-020S	2
4	SCREW CAP HD M5 X 30	zA0005-030S	2
5	M5 SS NYLOC NUT TYPE T A4	10015700	2
6	M6 X 25 NYLON WASHER (THICKNESS?)	10027910	2
7	M5 WASHER FLAT SS A4 -NATURAL	10230000-M	2
8	CLIP SPACER TUBE 17 o/g	1279-533	1
9	M4 NYLOC NUT T TYPE A4 DIN 985	10011400B	2



REV.	DESCRIPTION	DATE	APPROVED
8	S43026 - LENGTHS ADDED	20/02/2025	B.H
7	S42981 - DIMENSION ADDED & GEN UPDATE	05/02/2025	B.H
6	S23834 - FB WSL DRAWING GEN UPDATE	06/06/2017	S.J
5	S23820, S23815 - BLADE LENGTH ADDED	02/06/2017	S.J
4	S23803 - BLADE LENGTH 600 ADDED	31/05/2017	S.J

CRITICAL DIMENSIONS MARKED THUS:
 REFERENCE DETAILS MARKED THUS:

Matl. Part No. -
 Matl. Type -
 Matl. Size -
 Finish - -
 Estimated Weight - 0.28 KG

GENERAL TOLERANCES unless otherwise stated

Dimension - No decimal place ±1
 Dimension - One decimal place ±0.5
 Dimension - Two decimal places ±0.15
 Angular Dimension ±1°
 Weld Bead Length ±5
 Surface Flatness (inc. weld) ±0.5

Date	Drawn by	Approved by	Drawing Log No.
30/10/2014	A.P.J	SJ	S12067

WYNN: HEPWORTH FIXED BLADE

GENERAL DRAWING
 Size Scale Sheet
 A3 1:2 1 of 1

FB WSL